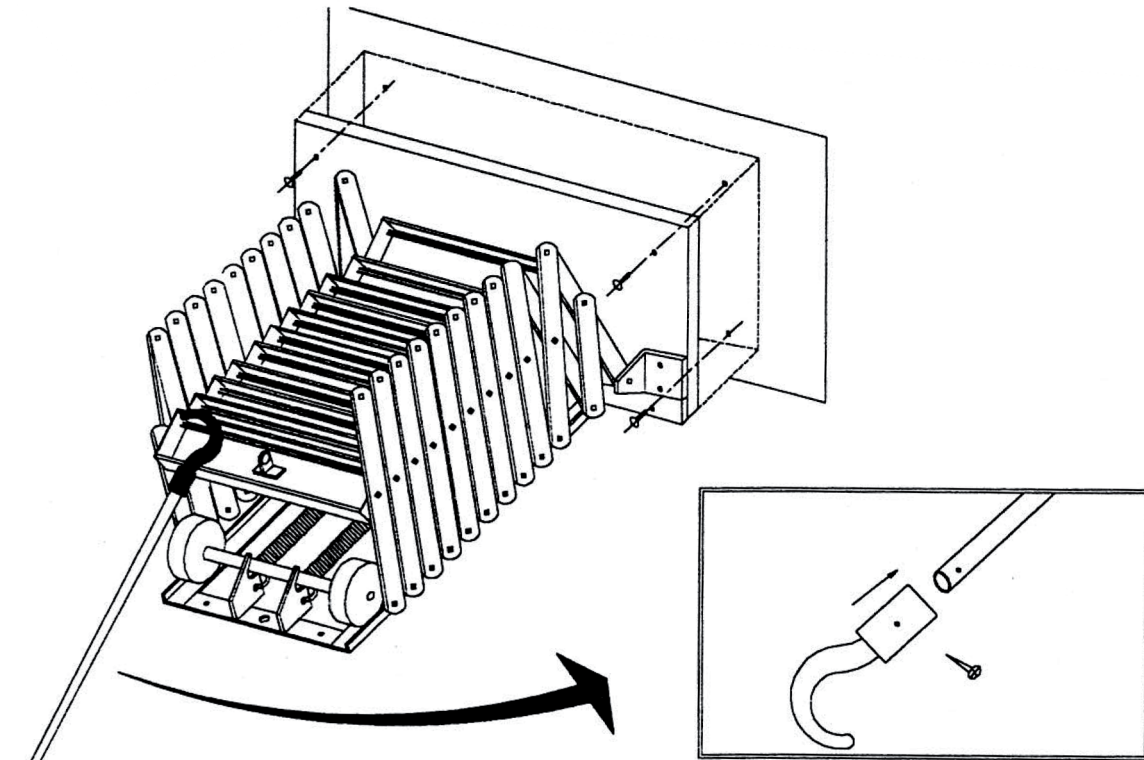


Alufix Concertina Loft Ladder

1. Check the sizes before you buy to ensure you are getting the ladder that best fits your floor to ceiling height
2. Before fitting your new loft ladder, please check that you have all the parts as listed on these instructions
3. Fix the Alufix concertina loft ladder using the screws provided in each of the 4 corners of the plate as per the drawings
4. **WARNING** - Never put your hands inside the scissor part of the ladder - always hold the treads



1 FITTING TRAPDOOR & LOCK / MONTAGE VON LUCKENDECKEL UND SCHLOSS / POSITIONNER TRAPPE ET LOQUETEAU / HET INSTALLEREN VAN DE ZOLDERLUIK & VANGERSCHOOT / MONTERING AF LOFTSLEM OG LÅS

